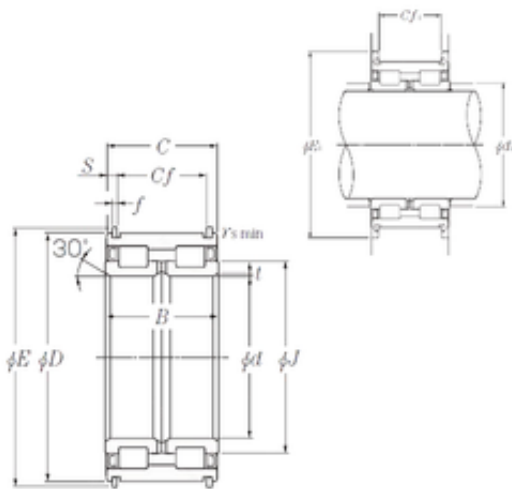




**180 mm x 280 mm x 136 mm NTN
SL04-5036NR cylindrical roller bearings**



Bearing No. SL04-5036NR

SL04-5036NR Bearing 2D drawings and 3D CAD models

Size	180x280x136 mm
Bore Diameter	180 mm
Outer Diameter	280 mm
Width	136 mm
d	180 mm
D	280 mm
B	136 mm
C	135 mm
E1	320 mm
t	2 mm
f	4 mm
r min.	1,1 mm
E	290,5 mm
J	220 mm
S	12,5 mm
da	187 mm
Cf	110 mm
Cf1	110 mm
Weight	32,3 Kg
Basic dynamic load rating (C)	1 090 kN
Basic static load rating (C0)	2 140 kN
Category	Cylindrical Roller Bearings
Inventory	0.0
Manufacturer Name	NTN
Minimum Buy Quantity	N/A



Weight / Kilogram	30.7
EAN	4547359186116
Product Group	B04144
Bore Profile	Straight
Cage Material	None
Precision Class	RBEC 1 ISO P0
Number of Rows of Rollers	Double Row
Separable	No
Rolling Element	Cylindrical Roller Bearing
Profile	Complete with Outer and Inner Ring
Snap Ring	Yes
Internal Clearance	C0-Medium
Retainer	No
Relubricatable	Yes
Inch - Metric	Metric
Other Features	Full Complement 3 Rib Inner Ring 1 Rib Outer Ring
Long Description	180MM Bore; Straight Bore Profile; 280MM Outside Diameter; 136MM Width; RBEC 1 ISO P0; Double Row; Not Separable; Snap Ring; Relubricatable; C0-Medium Internal Clearance; No Retainer
Category	Cylindrical Roller Bearing
UNSPSC	31171547
Harmonized Tariff Code	8482.50.00.00
Noun	Bearing
Manufacturer URL	http://www.ntnamerica.com
Manufacturer Item Number	SL04-5036NR
Weight / LBS	67.626
Outside Diameter	11.024 Inch 280 Millimeter



LUOYANG MONTON BEARING SCIENCE & TECH...

Width	5.354 Inch 136 Millimeter
Bore	7.087 Inch 180 Millimeter