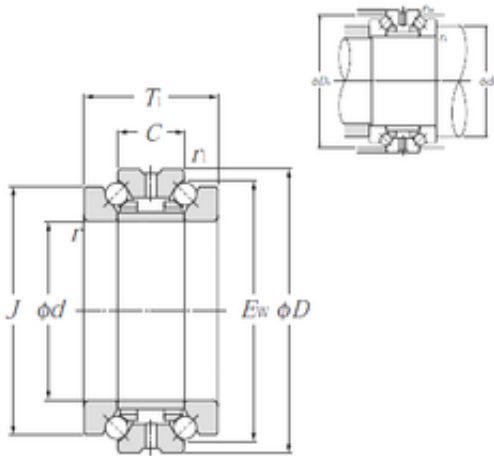




NTN 562928M thrust ball bearings



Bearing No. 562928M

Bore Diameter	144 mm
Outer Diameter	178 mm
d	144 mm
D	190 mm
Ew	178 mm
T1	60 mm
C	30 mm
ra1 max.	1 mm
r min.	1,5 mm
r1 min.	1 mm
J	173 mm
da min.	160 mm
Da max.	183,5 mm
ra max.	1,5 mm
Weight	3,94 Kg
Basic dynamic load rating (C)	76 kN
Basic static load rating (C0)	297 kN
(Grease) Lubrication Speed	2 100 r/min

562928M Bearing 2D drawings and 3D CAD models