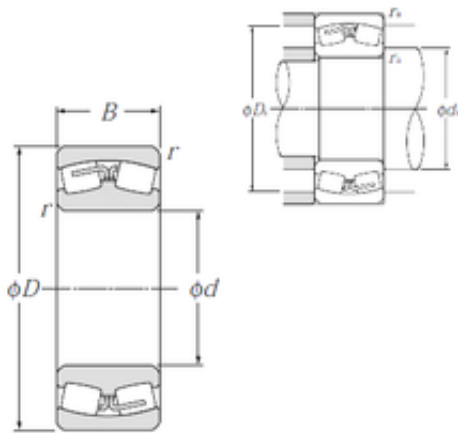




630 mm x 1 030 mm x 400 mm NTN 241/630B spherical roller bearings



Bearing No. 241/630B

Size	630x1030x400 mm
Bore Diameter	630 mm
Outer Diameter	1030 mm
Width	400 mm
d	630 mm
D	1 030 mm
B	400 mm
C	400 mm
r min.	7,5 mm
da min.	666 mm
Da max.	994 mm
ra max.	6 mm
Weight	1 330 Kg
Basic dynamic load rating (C)	11 600 kN
Basic static load rating (C0)	25 000 kN
(Grease) Lubrication Speed	250 r/min
(Oil) Lubrication Speed	320 r/min
Calculation factor (e)	0,38
Calculation factor (Y0)	1,74
Calculation factor (Y1)	1,78

241/630B Bearing 2D drawings and 3D CAD models